

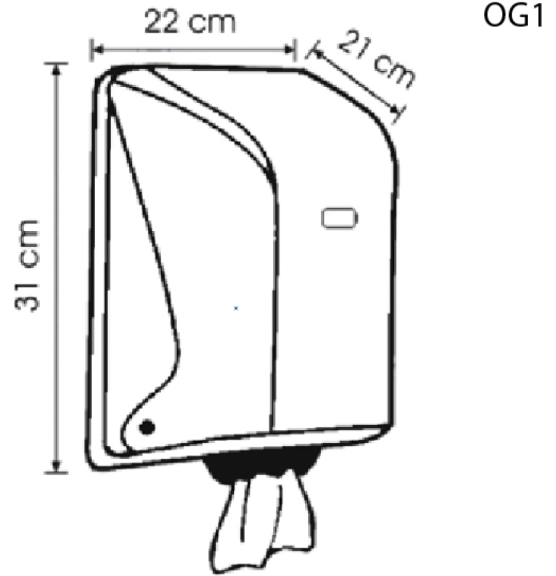
TECHNICAL SPECIFICATIONS

APPEARANCE OF THE PRODUCT

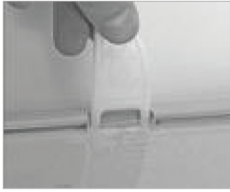
PHOTO



SCHEMA



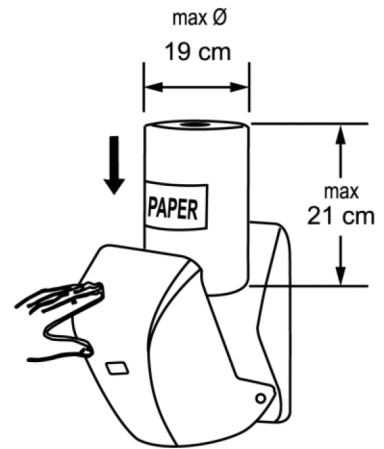
USING OF PRODUCT



PAPER SPECIFICATIONS

Designed for non-perforated paper roll.

BOTTOM PART



DESCRIPTIONS

Product Code	Description of Product	Centerfeed Wiper Paper Towel Dispenser
Product Code		OG1 / OG1T / OG1B / OG1M
Color		White / Transparent / Black / Metallic
Material		ABS Plastic
Dimensions (Height x Width x Depth in cm)		31 x 22 x 21 cm
Paper Type for Dispensing		Centerfeed Roll - Non Perforated

MANUFACTURER INFORMATION

Manufacturer	Rova Chemistry Ltd. Şti.
Origin	Made in Turkey

Last Update: 25.11.2020