

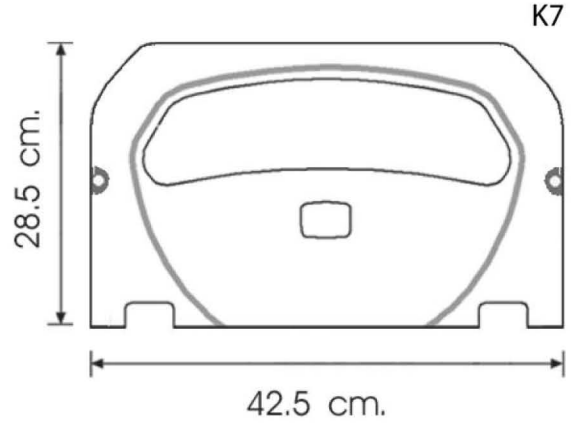
## TECHNICAL SPECIFICATION

### APPEARANCE OF THE PRODUCT

#### PHOTO

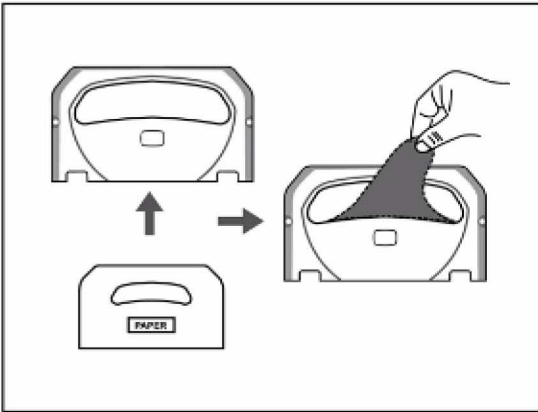


#### SCHEMA

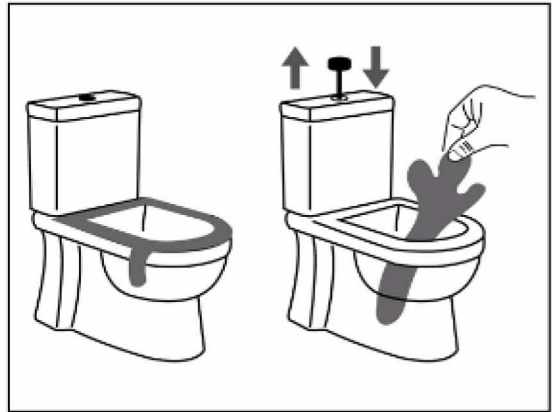


### USING OF PRODUCT

1



2



### DESCRIPTIONS

Description of Product	Toilet Seat Cover Dispenser
Product Code	K7 / K7B /K7M
Color	White Black / Metallic
Material	ABS Plastic
Dimensions ( Height x Width x Depth in cm)	42,5 x 28,5
Suitable Tissue Type	Toilet Seat Cover Shield Paper

### MANUFACTURER INFORMATION

Manufacturer	Rova Chemistry Ltd. Şti.
Origin	Made in Turkey

Last Update : 25.11.2020