

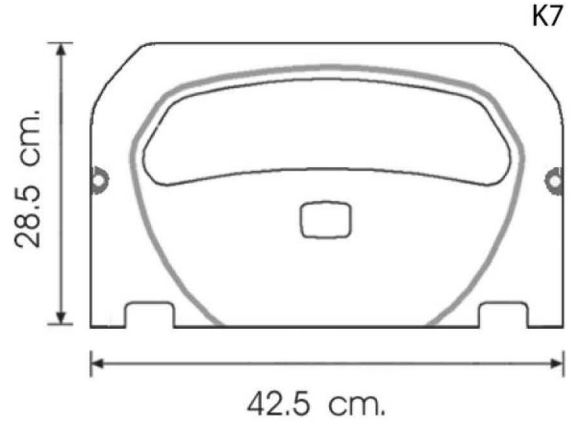
TECHNICAL SPECIFICATION

APPEARANCE OF THE PRODUCT

PHOTO

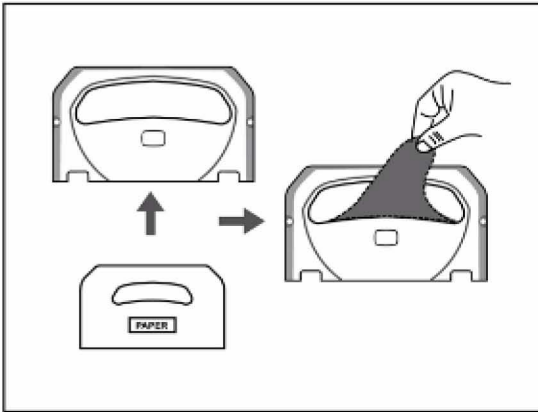


SCHEMA

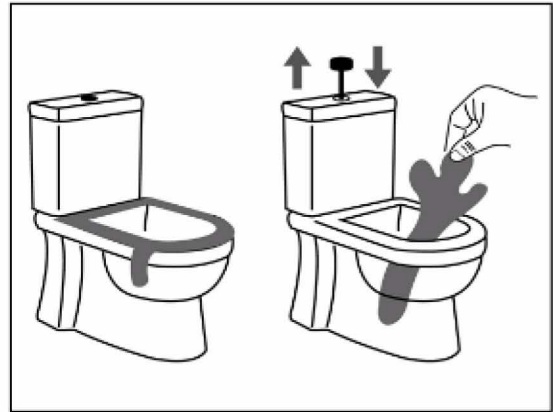


USING OF PRODUCT

1



2



DESCRIPTIONS

Description of Product	Toilet Seat Cover Dispenser
Product Code	K7 / K7B /K7M
Color	White Black / Metallic
Material	ABS Plastic
Dimensions (Height x Width x Depth in cm)	42,5 x 28,5
Suitable Tissue Type	Toilet Seat Cover Shield Paper

MANUFACTURER INFORMATION

Manufacturer	Rova Chemistry Ltd. Şti.
Origin	Made in Turkey

Last Update : 25.11.2020