

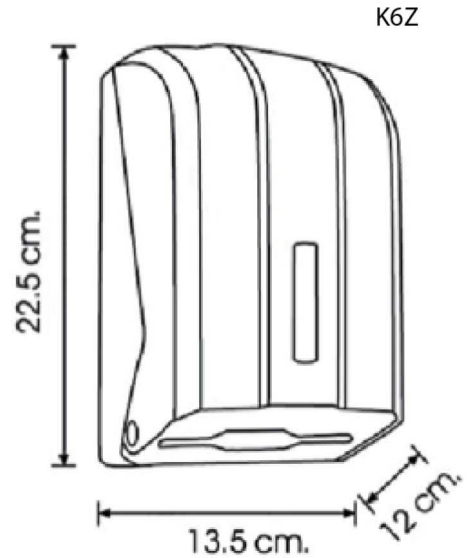
## TECHNICAL SPECIFICATIONS

### APPEARANCE OF THE PRODUCT

#### PHOTO



#### SCHEMA



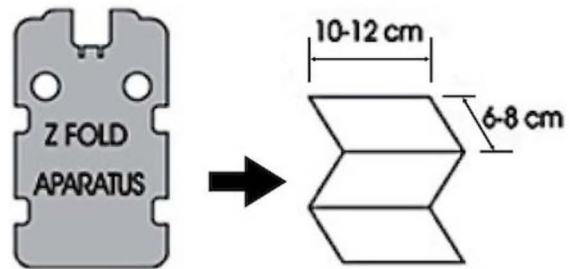
### DESCRIPTIONS

Description of Product	Z Folded Toilet Tissue Dispenser
Product Code	K6Z / K6ZT / K6ZB / K6ZM
Colour	White / Transparent / Black / Metallic
Material	ABS Plastic
Dimensions ( Height x Width x Depth in cm)	22,5 x 13,5 x 12 cm

### TISSUE CAPACITY

Suitable Tissue Type	Z Folded Toilet Tissue
Width of Paper (max)	between 10-12 cm
Depth of Paper After Folding (max)	between 6-8 cm

### USING OF PRODUCT



### MANUFACTURER INFORMATION

Manufacturer	Rova Chemistry Ltd. Şti.
Origin	Made in Turkey

Last Update: 21.02.2020