

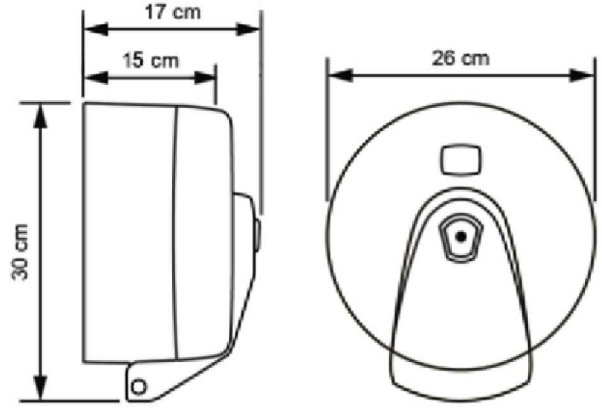
## TECHNICAL SPECIFICATIONS

### APPEARANCE OF THE PRODUCT

#### PHOTO



#### SCHEMA



K9

### INSTALLING PAPER & USING



Open the lid with key.



Put the paper towel in your dispenser taking the end of the paper outside from the bottom. Close the lid.



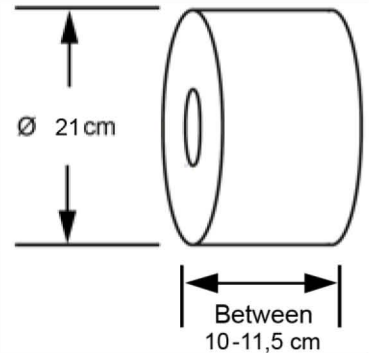
Use toilet tissues pulling.

### DESCRIPTIONS

Product Code	Description of Product	Minipoint Toilet Tissue Dispenser
Product Code		K9 / K9T / K9B / K9M
Color		White / Transparent / Black / Metallic
Material		ABS Plastic
Dimensions ( Height x Width x Depth in cm)		30 x 26 x 17 cm

#### TISSUE SPECIFICATIONS

Suitable Tissue Type	Minipoint Toilet Tissue Roll
Tissue Sheet Width	11 – 11,5 cm
Tissue Roll Diameter (Ø)	21 cm



#### MANUFACTURER INFORMATION

Manufacturer	Rova Chemistry Ltd. Şti.
Origin	Made in Turkey

Last Update: 12.03.2020