

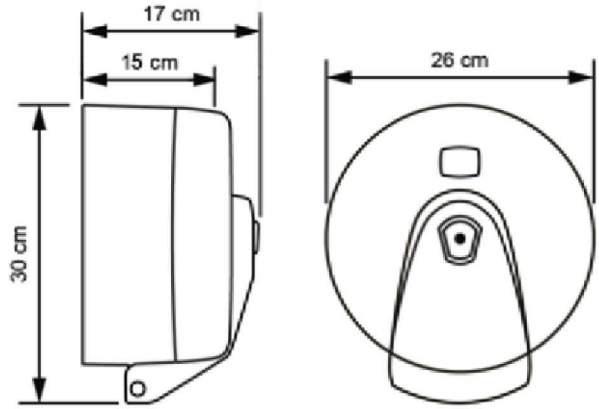
TECHNICAL SPECIFICATIONS

APPEARANCE OF THE PRODUCT

PHOTO



SCHEMA



K9

INSTALLING PAPER & USING



Open the lid with key.



Put the paper towel in your dispenser taking the end of the paper outside from the bottom. Close the lid.



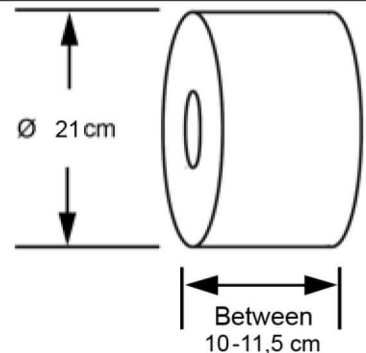
Use toilet tissues pulling.

DESCRIPTIONS

Product Code	Description of Product	Minipoint Toilet Tissue Dispenser
Product Code		K9 / K9T / K9B / K9M
Color		White / Transparent / Black / Metallic
Material		ABS Plastic
Dimensions (Height x Width x Depth in cm)		30 x 26 x 17 cm

TISSUE SPECIFICATIONS

Suitable Tissue Type	Minipoint Toilet Tissue Roll
Tissue Sheet Width	11 – 11,5 cm
Tissue Roll Diameter (Ø)	21 cm



MANUFACTURER INFORMATION

Manufacturer	Rova Chemistry Ltd. Şti.
Origin	Made in Turkey

Last Update: 12.03.2020